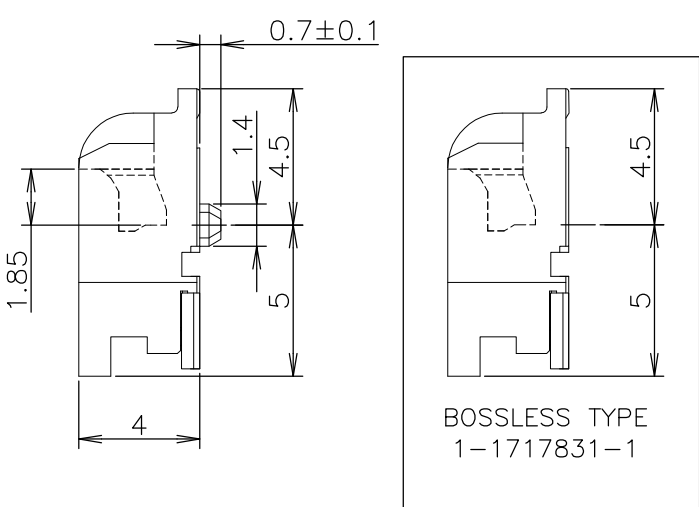
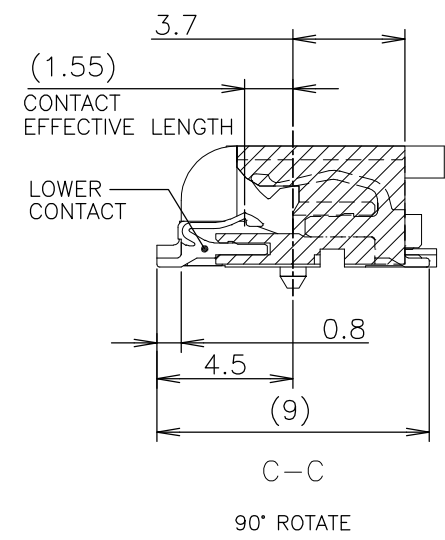
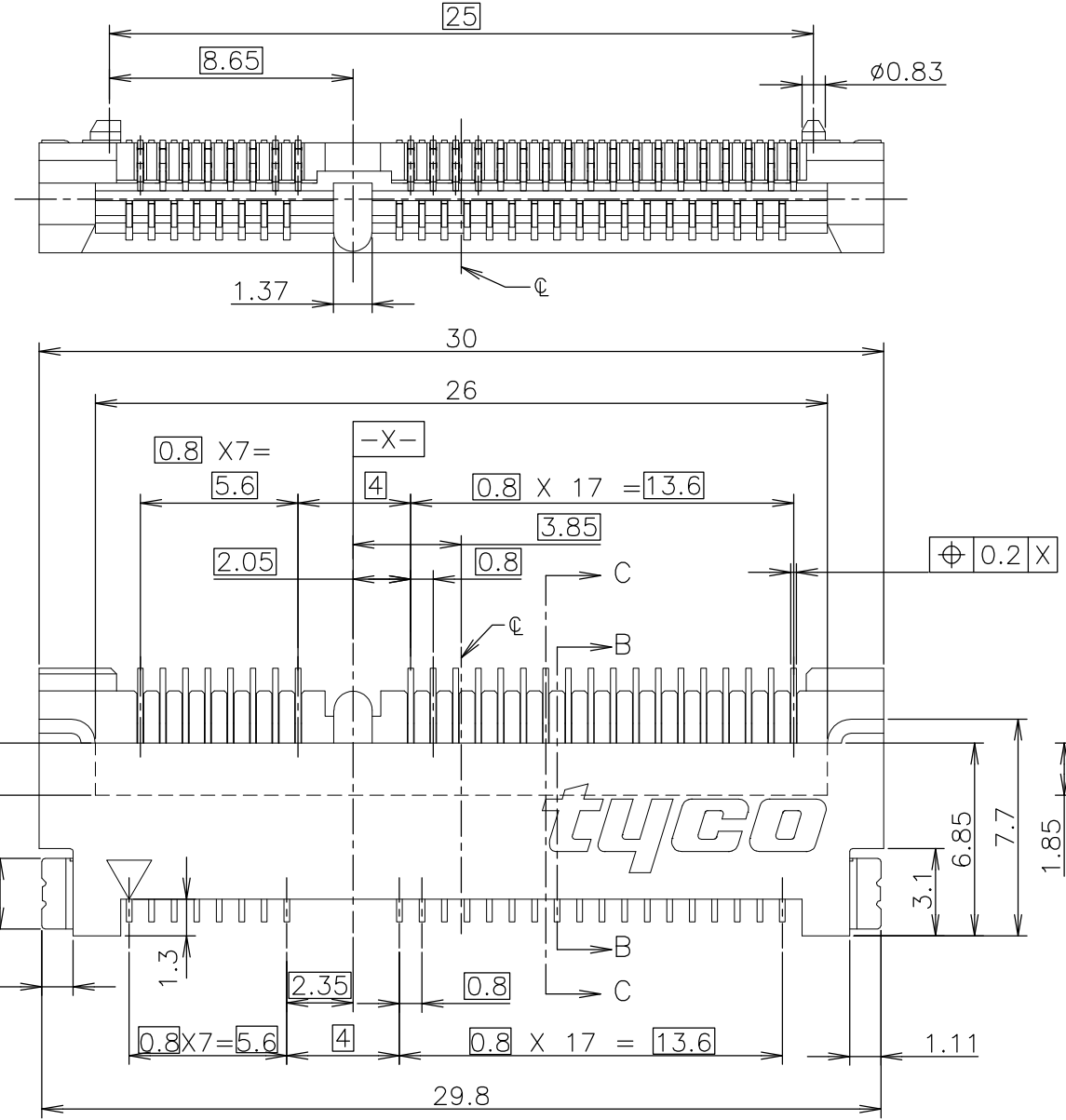
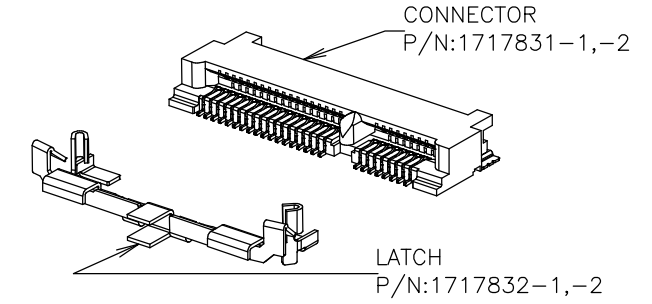
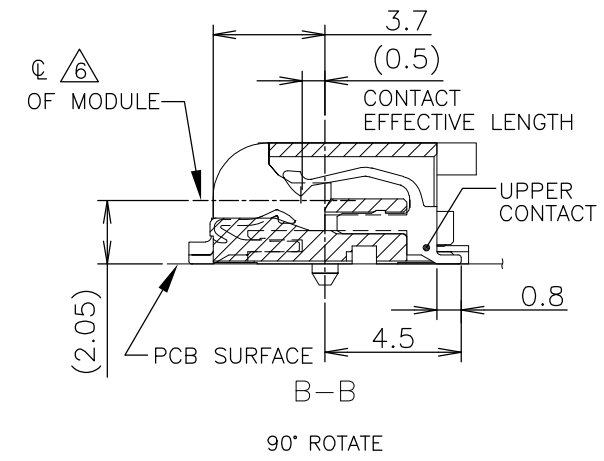


THIS DRAWING IS UNPUBLISHED. RELEASED FOR PUBLICATION OCT ,2003.
 © COPYRIGHT 2003 By - ALL RIGHTS RESERVED.

LOC	DIST	REVISIONS			
P	LTR	DESCRIPTION	DATE	DWN	APVD
J					
	D	RELEASED PER ECR-11-019941	28SEP2011	S.W	C.W

NOTE
 1. MATERIAL : HOUSING : HIGH TEMPERATURE THERMO PLASTIC UL94V-0
 COLOR: BLACK
 CONTACT : COPPER ALLOY
 SOLDER PEG : COPPER ALLOY
 2. FINISH : CONTACT : GOLD FLASH ON CONTACT AREA, ALL OVER NICKEL.
 SOLDER PEG : TIN PLATE, ALL OVER NICKEL
 3. TOLERANCES NON-CUMMURATIVE
 4. -D- IS THE TOP SURFACE OF PCB.
 5. COMPONENT KEEP OUT AREA BASED ON MINI PCI EXPRESS SPECIFICATION
 1.0 CANDIDATE DRAFT (v1)
 6. THE FLOATING VALUE BY SOLDERING IS NOT INCLUDED.



PCI-E MINI CARD CONNECTOR SIGNAL ASSIGNMENTS

PIN#	NAME	PIN#	NAME
51	Reserved	52	+3.3Vaux
49	Reserved	50	GND
47	Reserved	48	+1.5V
45	Reserved	46	LED_WPAN#
43	GND	44	LED_WLAN#
41	+3.3Vaux	42	LED_WWAN#
39	+3.3Vaux	40	GND
37	GND	38	USB_D+
35	GND	36	USB_D-
33	PETp0	34	GND
31	PETn0	32	SMB_DATA
29	GND	30	SMB_CLK
27	GND	28	+1.5V
25	PERp0	26	GND
23	PERn0	24	+3.3Vaux
21	GND	22	PERST#
19	Reserved* (UIM_C4)	20	W_DISABLE#
17	Reserved* (UIM_C8)	18	GND
MECHANICAL KEY			
15	GND	16	UIM_VPP
13	REFCLK+	14	UIM_RESET
11	REFCLK-	12	UIM_CLK
9	GND	10	UIM_DATA
7	CLKREQ#	8	UIM_PWR
5	COEX2	6	1.5V
3	COEX1	4	GND
1	WAKE#	2	3.3Vaux

mSATA CONNECTOR SIGNAL ASSIGNMENTS

PIN#	NAME	PIN#	NAME
51	Presence Detection	52	+3.3V
49	DA/DSS	50	GND
47	Vendor	48	+1.5V
45	Vendor	46	Reserved
43	No Connect	44	Reserved
41	+3.3V	42	Reserved
39	+3.3V	40	GND
37	GND	38	Reserved
35	GND	36	Reserved
33	+A	34	GND
31	-A	32	Two Wire Interface
29	GND	30	Two Wire Interface
27	GND	28	+1.5V
25	-B	26	GND
23	+B	24	+3.3V
21	GND	22	Reserved
19	Reserved	20	Reserved
17	Reserved	18	GND
MECHANICAL KEY			
15	GND	16	Reserved
13	Reserved	14	Reserved
11	Reserved	12	Reserved
9	GND	10	Reserved
7	Reserved	8	Reserved
5	Reserved	6	+1.5V
3	Reserved	4	GND
1	Reserved	2	+3.3V

* Reserved for future UIM interface (if needed)

THIS DRAWING IS A CONTROLLED DOCUMENT.

DIMENSIONS: MM	TOLERANCES UNLESS OTHERWISE SPECIFIED:
	0 PLC ± -
	1 PLC ± -
	2 PLC ± -
	3 PLC ± -
	4 PLC ± -
	ANGLES ± -
MATERIAL SEE NOTE	FINISH SEE NOTE

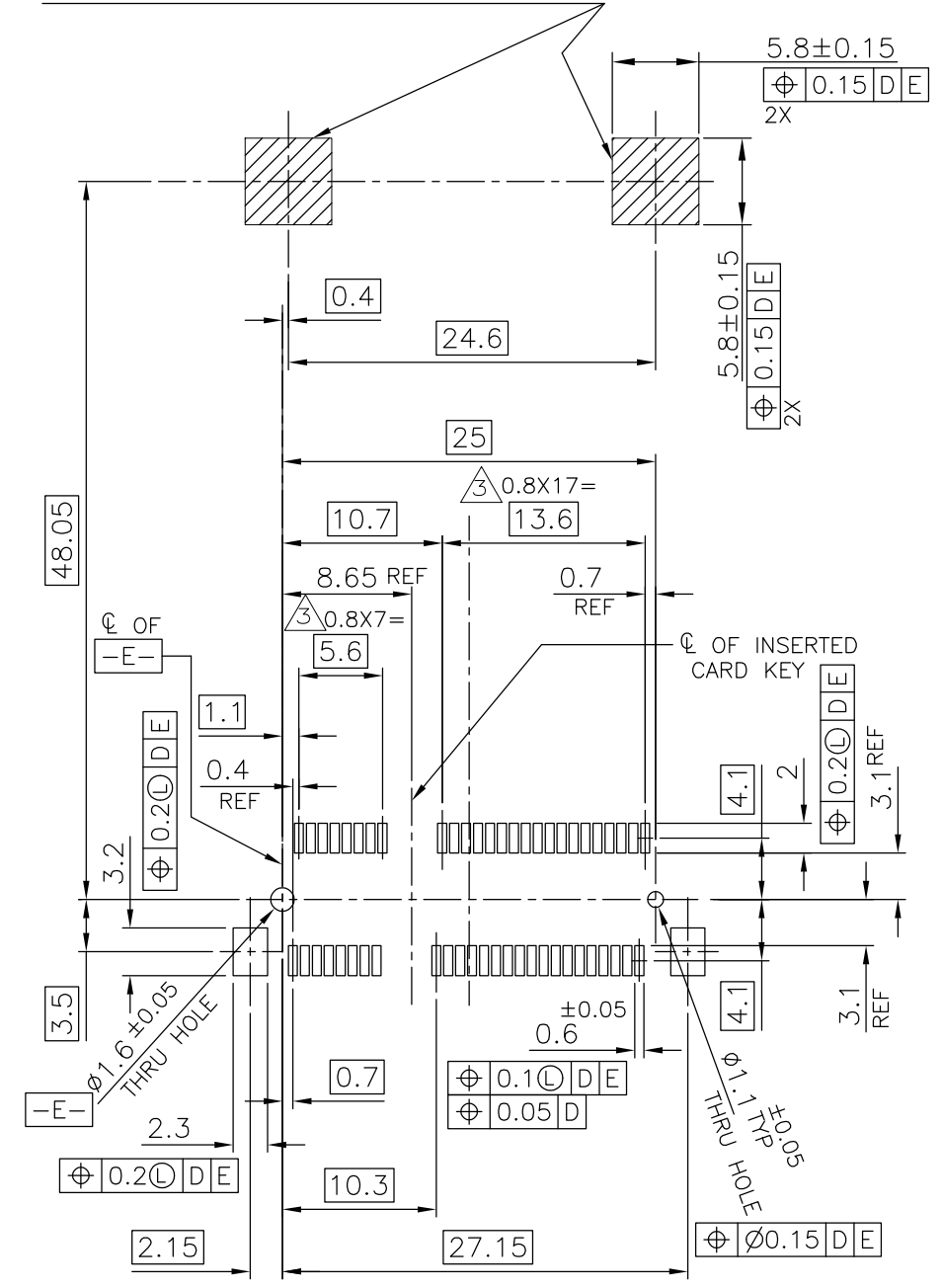
TOLERANCES UNLESS OTHERWISE SPECIFIED
10 ≥ : ±0.2
30 ≥ >10: ±0.25
100 ≥ >10: ±0.3
ANGLES : ±3°

DWN J.TANIGAWA 100CT03	TE Connectivity
CHK Y.YAMAMOTO 100CT03	
APVD Y.YAMAMOTO 100CT03	
PRODUCT SPEC	
APPLICATION SPEC	NAME
108-5899	SEMI HARD TRAY & EMBOSS TAPE SUPPLY
1.2g	2 IN 1 mSATA AND MINI PCI EXPRESS MINI CARD CONNECTOR 4mm HEIGHT
CUSTOMER DRAWING	SIZE A3
SCALE 4:1	CAGE CODE 00779
SHEET 1 OF 7	DRAWING NO C-1717831
REV D	RESTRICTED TO

THIS DRAWING IS UNPUBLISHED. RELEASED FOR PUBLICATION OCT ,2003.
 © COPYRIGHT 2003 By - ALL RIGHTS RESERVED.

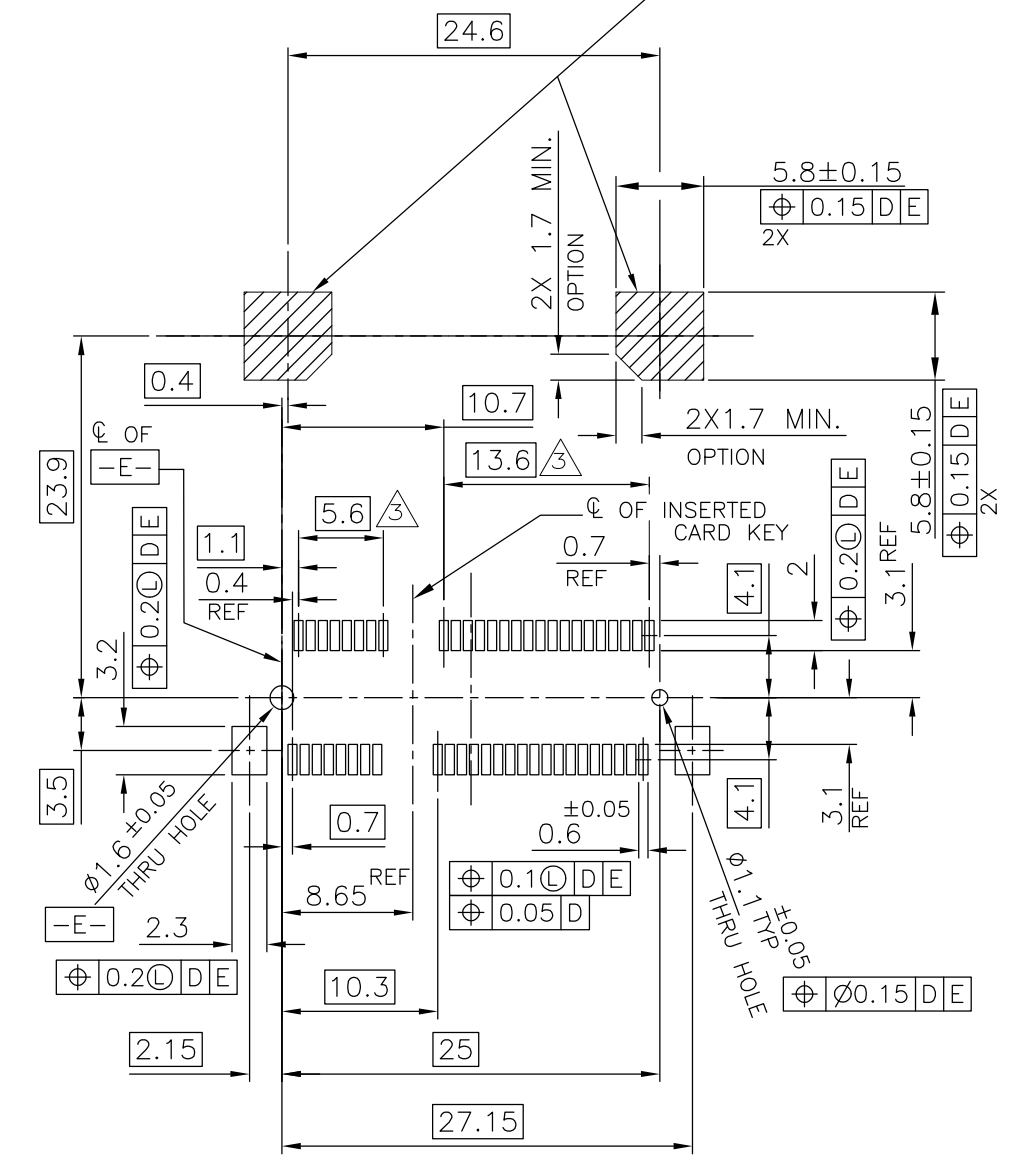
LOC	DIST	REVISIONS					
		P	LTR	DESCRIPTION	DATE	DWN	APVD
J		-	-	SEE SHEET 1	-	-	-

Component and routing (all layers)
keep out area for hold down solutions



REFERENTIAL P.C.BOARD LAYOUT
FOR FULL CARD CONNECTOR

Component and routing (all layers)
keep out area for hold down solutions

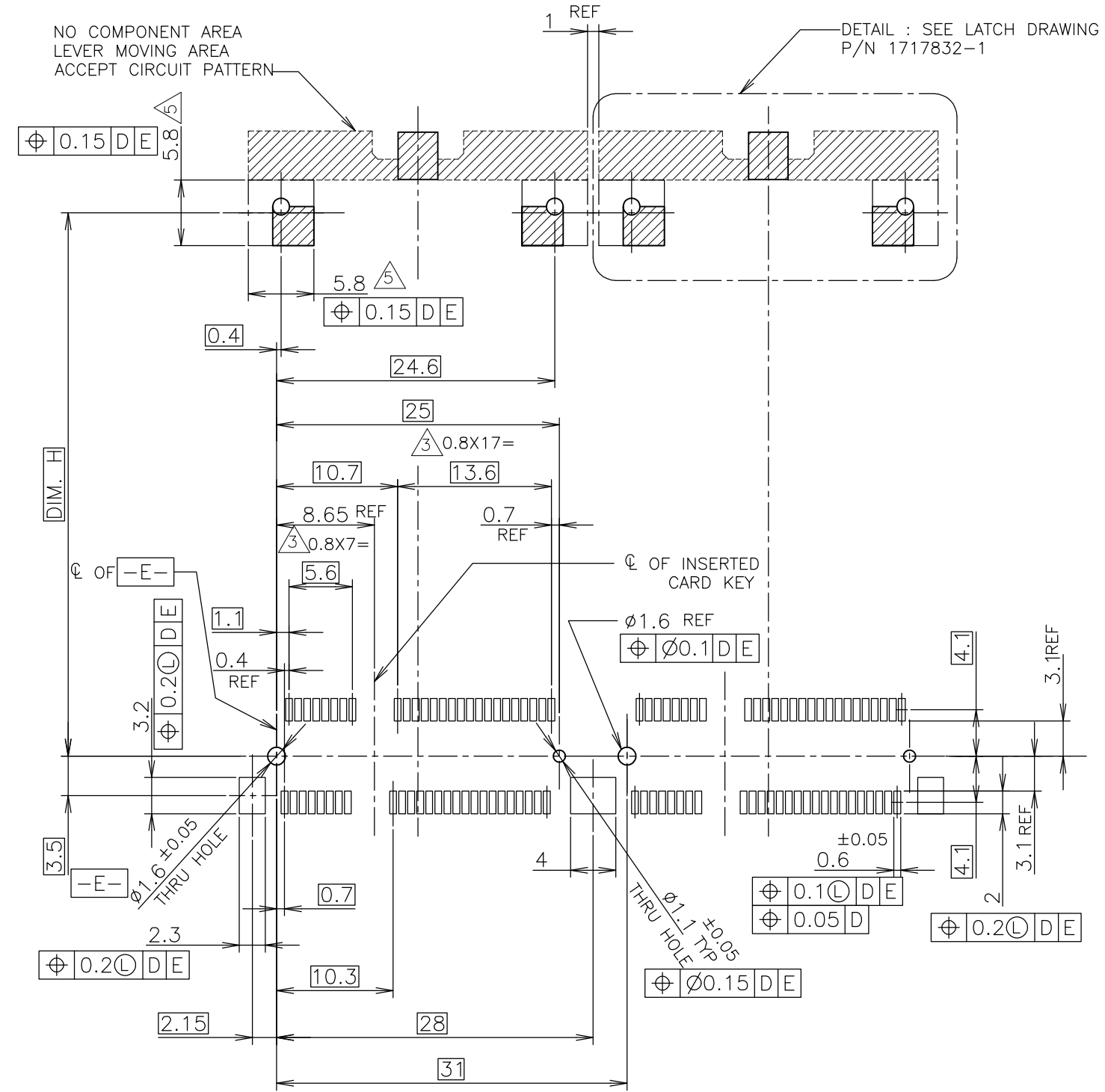


REFERENTIAL P.C.BOARD LAYOUT
FOR HALF CARD CONNECTOR

THIS DRAWING IS A CONTROLLED DOCUMENT.		DWN	STE TE Connectivity		
DIMENSIONS: MM		CHK			
TOLERANCES UNLESS OTHERWISE SPECIFIED:		APVD	NAME		
0 PLC ± -		PRODUCT SPEC	SEMI HARD TRAY & EMBOSS TAPE SUPPLY		
1 PLC ± -		APPLICATION SPEC	2 IN 1 mSATA AND MINI PCI EXPRESS MINI CARD		
2 PLC ± -		WEIGHT	SIZE	CAGE CODE	DRAWING NO
3 PLC ± -		CUSTOMER DRAWING	A3	00779	C-1717831
4 PLC ± -			SCALE	SHEET	REV
ANGLES ± -			2:1	2 OF 7	D
FINISH					

THIS DRAWING IS UNPUBLISHED. RELEASED FOR PUBLICATION OCT. 2003.
 © COPYRIGHT 2003 By - ALL RIGHTS RESERVED.

LOC	DIST	REVISIONS			
P	LTR	DESCRIPTION	DATE	DWN	APVD
J		SEE SHEET 1	-	-	-



RECOMMENDED P.C. BOARD PATTERN LAYOUT FOR FULL CARD & SIDE BY SIDE MOUNT

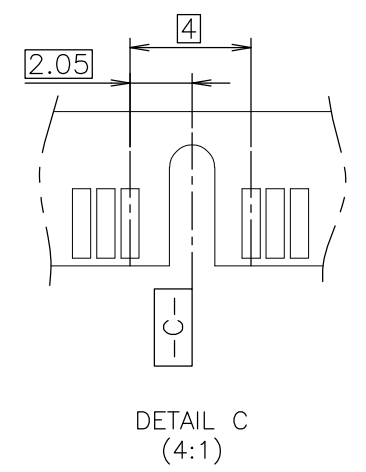
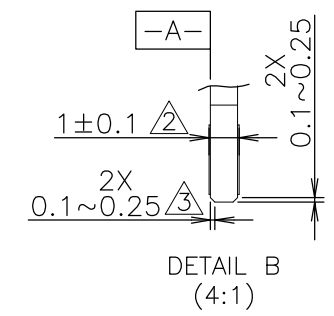
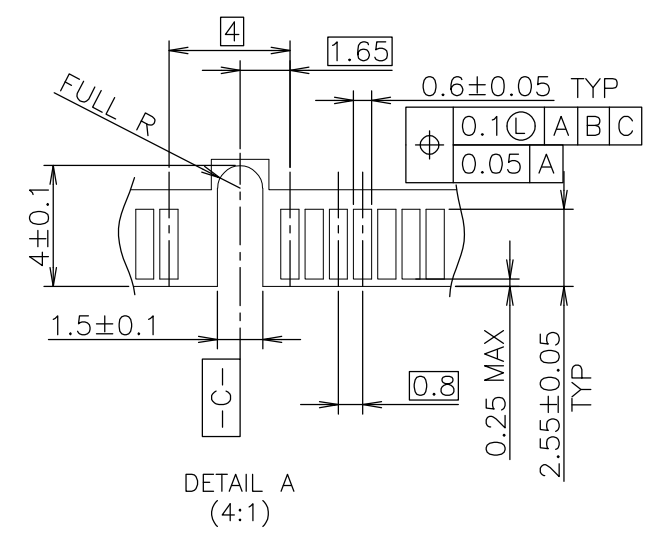
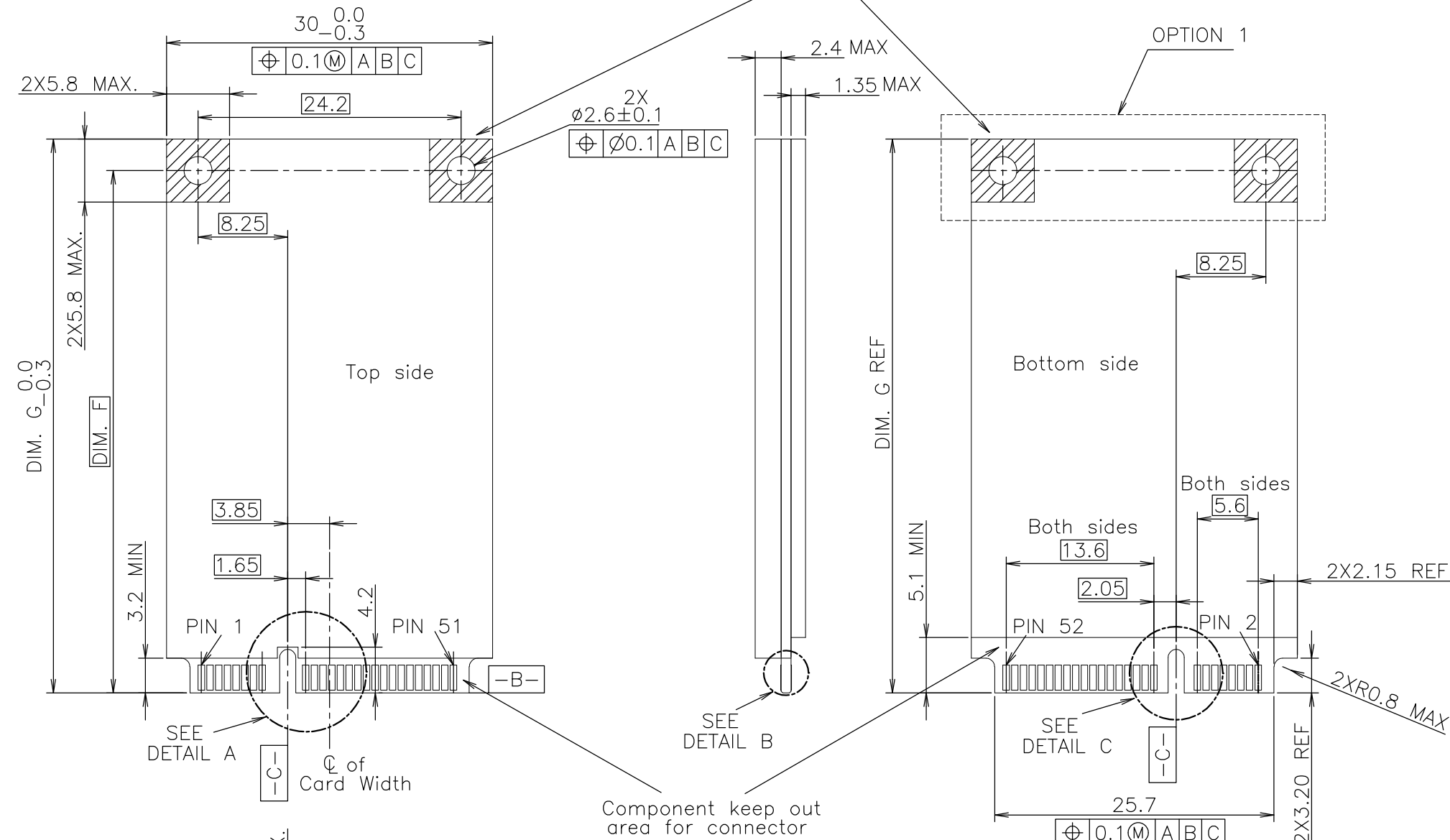
DIM. H	
48.05	FULL-MINI CARD
23.9	HALF-MINI CARD

THIS DRAWING IS A CONTROLLED DOCUMENT.		DWN	STE TE Connectivity		
DIMENSIONS: MM		CHK			
TOLERANCES UNLESS OTHERWISE SPECIFIED:		APVD	NAME		
0 PLC ± -		PRODUCT SPEC	SEMI HARD TRAY & EMBOSS TAPE SUPPLY		
1 PLC ± -		APPLICATION SPEC	2 IN 1 mSATA AND MINI PCI EXPRESS MINI CARD		
2 PLC ± -		WEIGHT	SIZE	CAGE CODE	DRAWING NO
3 PLC ± -		CUSTOMER DRAWING	A3	00779	C-1717831
4 PLC ± -			SCALE	SHEET	REV
ANGLES ± -			2:1	3 OF 7	D
FINISH					

THIS DRAWING IS UNPUBLISHED. RELEASED FOR PUBLICATION OCT ,2003.
 © COPYRIGHT 2003 By - ALL RIGHTS RESERVED.

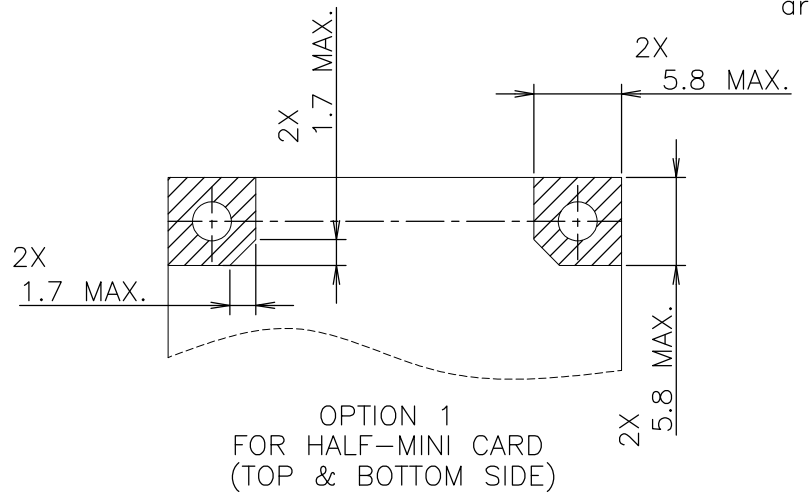
LOC	DIST	REVISIONS			
P	LTR	DESCRIPTION	DATE	DWN	APVD
J		SEE SHEET 1	-	-	-

Component and routing (all layers)
 keep out area for hold down solutions



RECOMMENDED MATING P.C.B CONFIGURATION
 FOR PCI EXPRESS MINI CARD

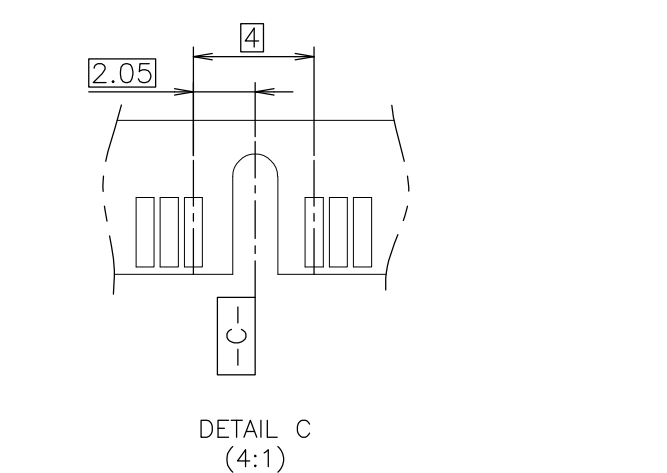
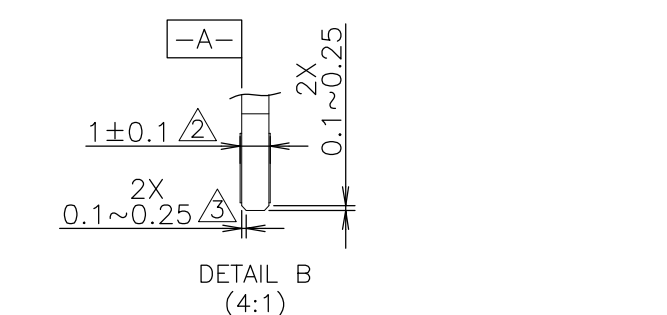
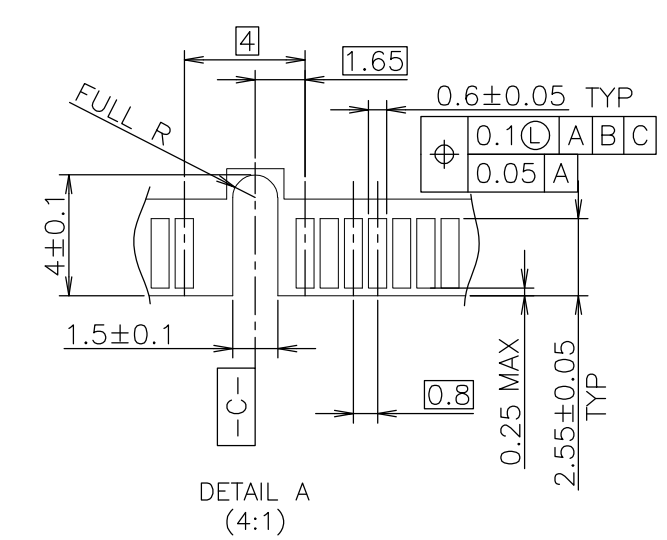
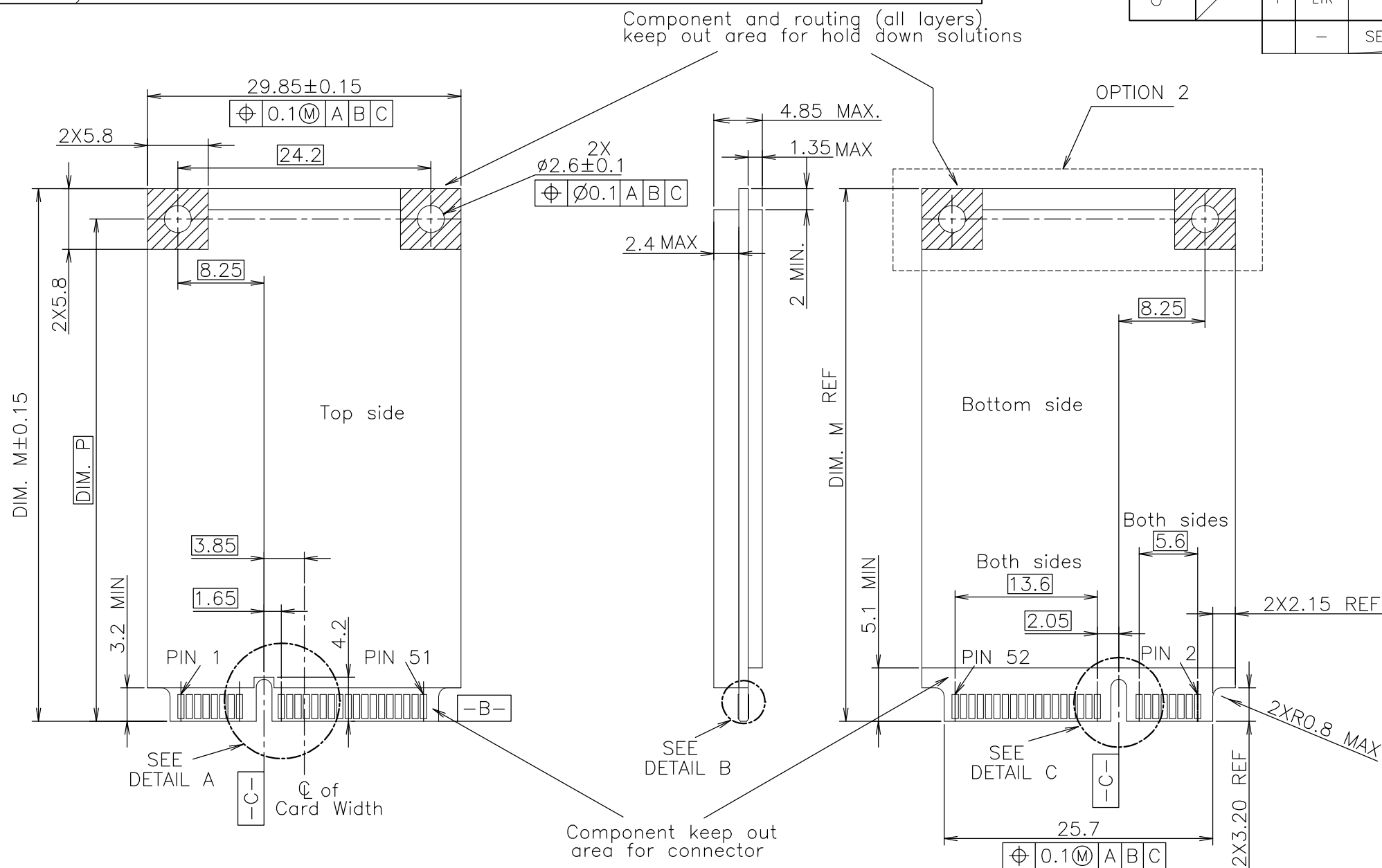
DIM. F	DIM. G	
48.05	50.95	FULL-MINI CARD
23.9	26.8	HALF-MINI CARD



NOTES
 1. PCI EXPRESS MINI CARD, PCB THICKNESS 1.0mm.
 2. CARD THICKNESS APPLIES ACROSS TABS AND INCLUDES PLATING AND/OR METALIZATION.
 3. BEVEL MUST BE FREE OF CUTTING BURRS.

THIS DRAWING IS A CONTROLLED DOCUMENT.		DWN		TE Connectivity			
DIMENSIONS: MM		CHK				NAME	
TOLERANCES UNLESS OTHERWISE SPECIFIED: 0 PLC ± - 1 PLC ± - 2 PLC ± - 3 PLC ± - 4 PLC ± - ANGLES ± - FINISH ± -		APVD				SEMI HARD TRAY & EMBOSS TAPE SUPPLY 2 IN 1 mSATA AND MINI PCI EXPRESS MINI CARD CONNECTOR 4mm HEIGHT	
MATERIAL		PRODUCT SPEC				SIZE CAGE CODE DRAWING NO RESTRICTED TO	
		APPLICATION SPEC		A3 00779 C-1717831			
		WEIGHT		CUSTOMER DRAWING			
		SCALE 2:1		SHEET 4 OF 7 REV D			

P	LTR	DESCRIPTION	DATE	DWN	APVD
-	-	SEE SHEET 1	-	-	-



RECOMMENDED MATING P.C.B CONFIGURATION FOR mSATA

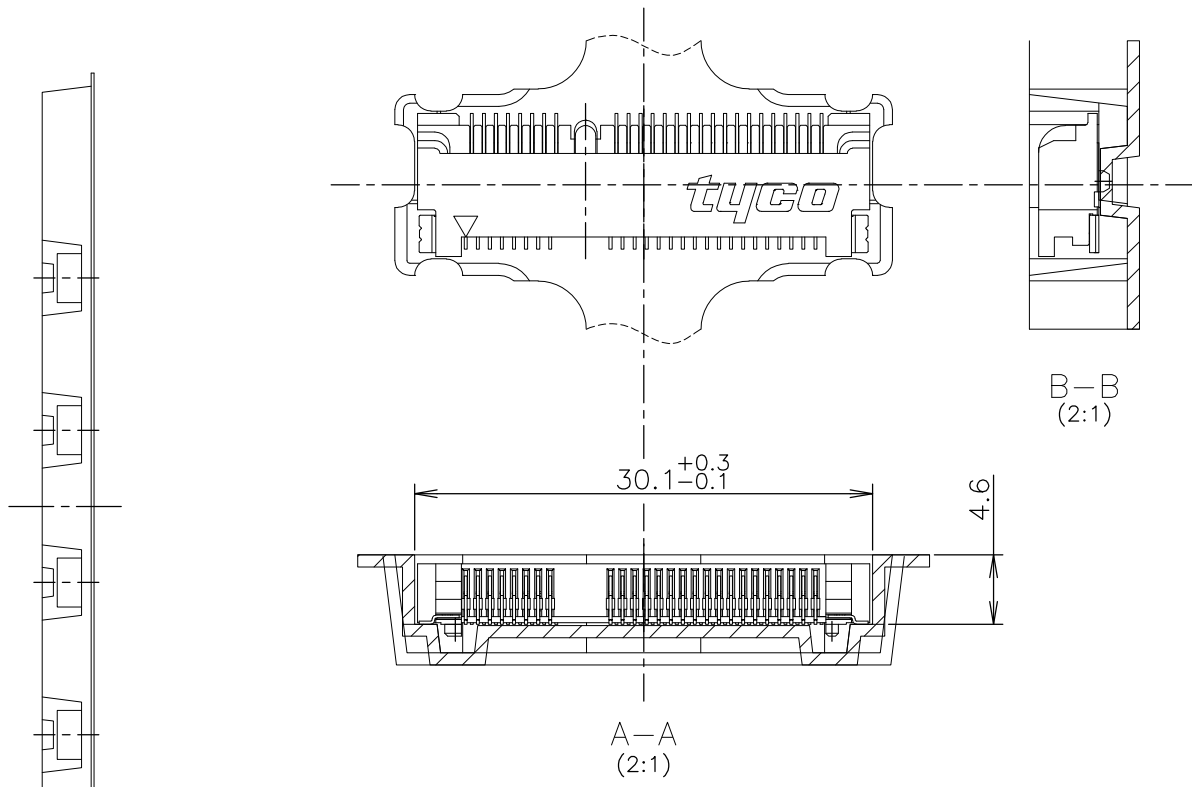
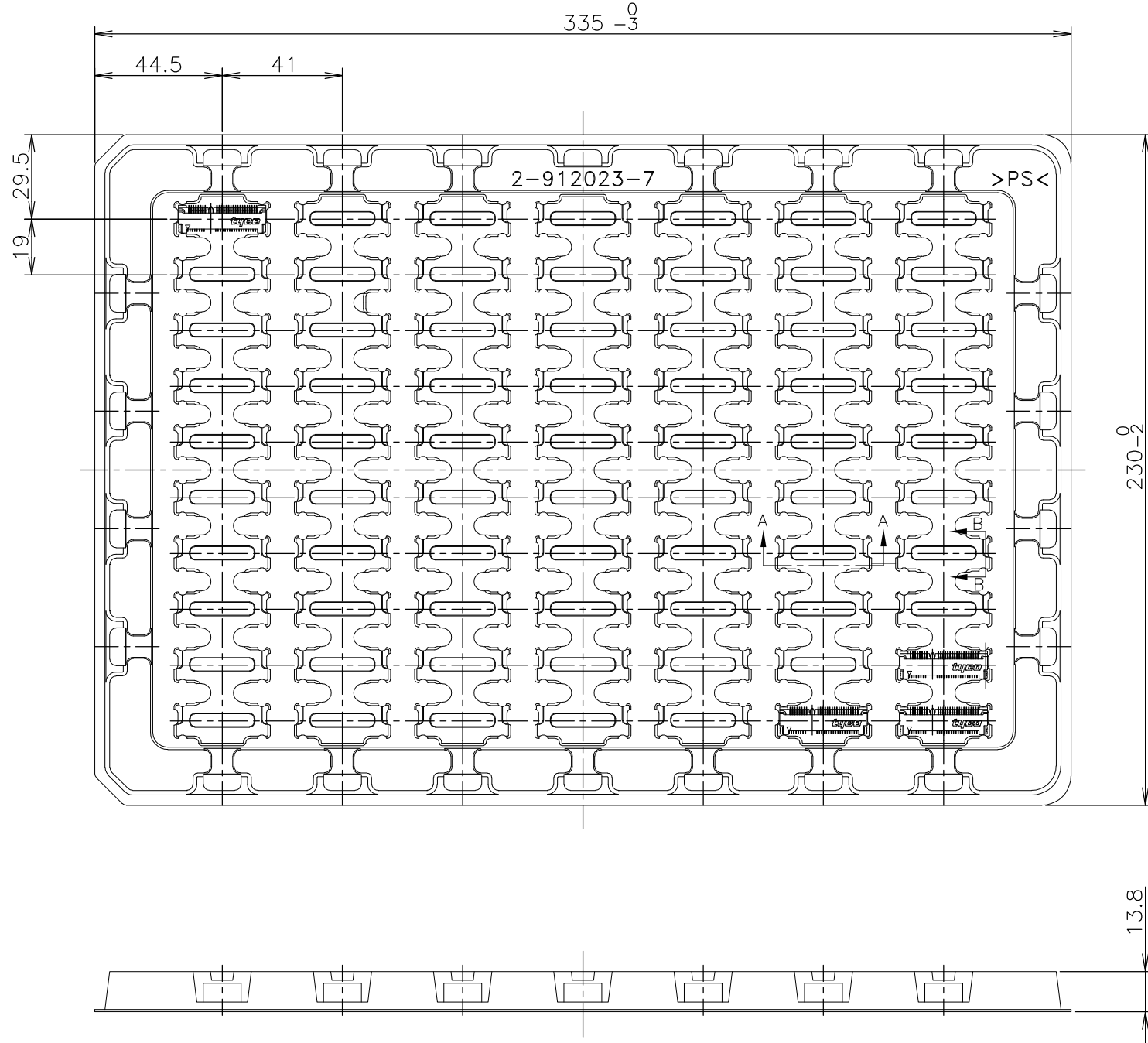
DIM. P	DIM. M	
48.05	50.8	FULL CARD
23.9	26.8	HALF CARD

- NOTES
- 1.mSATA CARD,PCB THICKNESS 1.0mm.
 - 2.CARD THICKNESS APPLIES ACROSS TABS AND INCLUDES PLATING AND/OR METALIZATION.
 - 3.BEVEL MUST BE FREE OF CUTTING BURRS.
 - 4.COMPONENT AND ROUTING (TOP/BOTTOM LAYER) KEEP OUT AREA FOR HOLD DOWN SOLUTIONS.

THIS DRAWING IS A CONTROLLED DOCUMENT.		DWN	TE Connectivity	
DIMENSIONS: MM		CHK		
TOLERANCES UNLESS OTHERWISE SPECIFIED:		APVD		
0 PLC ± - 1 PLC ± - 2 PLC ± - 3 PLC ± - 4 PLC ± - ANGLES ± - MATERIAL FINISH ± -		PRODUCT SPEC		
MATERIAL		APVD	NAME	
		APVD	SEMI HARD TRAY & EMBOSS TAPE SUPPLY	
MATERIAL		APVD	2 IN 1 mSATA AND MINI PCI EXPRESS MINI CARD	
MATERIAL		APVD	CONNECTOR 4mm HEIGHT	
MATERIAL		APVD	SIZE	RESTRICTED TO
MATERIAL		APVD	A3	
MATERIAL		APVD	CAGE CODE	
MATERIAL		APVD	00779	
MATERIAL		APVD	DRAWING NO	
MATERIAL		APVD	C-1717831	
MATERIAL		APVD	SCALE	
MATERIAL		APVD	2:1	
MATERIAL		APVD	SHEET	
MATERIAL		APVD	5 of 7	
MATERIAL		APVD	REV	
MATERIAL		APVD	D	

THIS DRAWING IS UNPUBLISHED. RELEASED FOR PUBLICATION OCT , 2003.
 © COPYRIGHT 2003 By - ALL RIGHTS RESERVED.

LOC	DIST	REVISIONS					
		P	LTR	DESCRIPTION	DATE	DWN	APVD
J	/	-	-	SEE SHEET 1	-	-	-



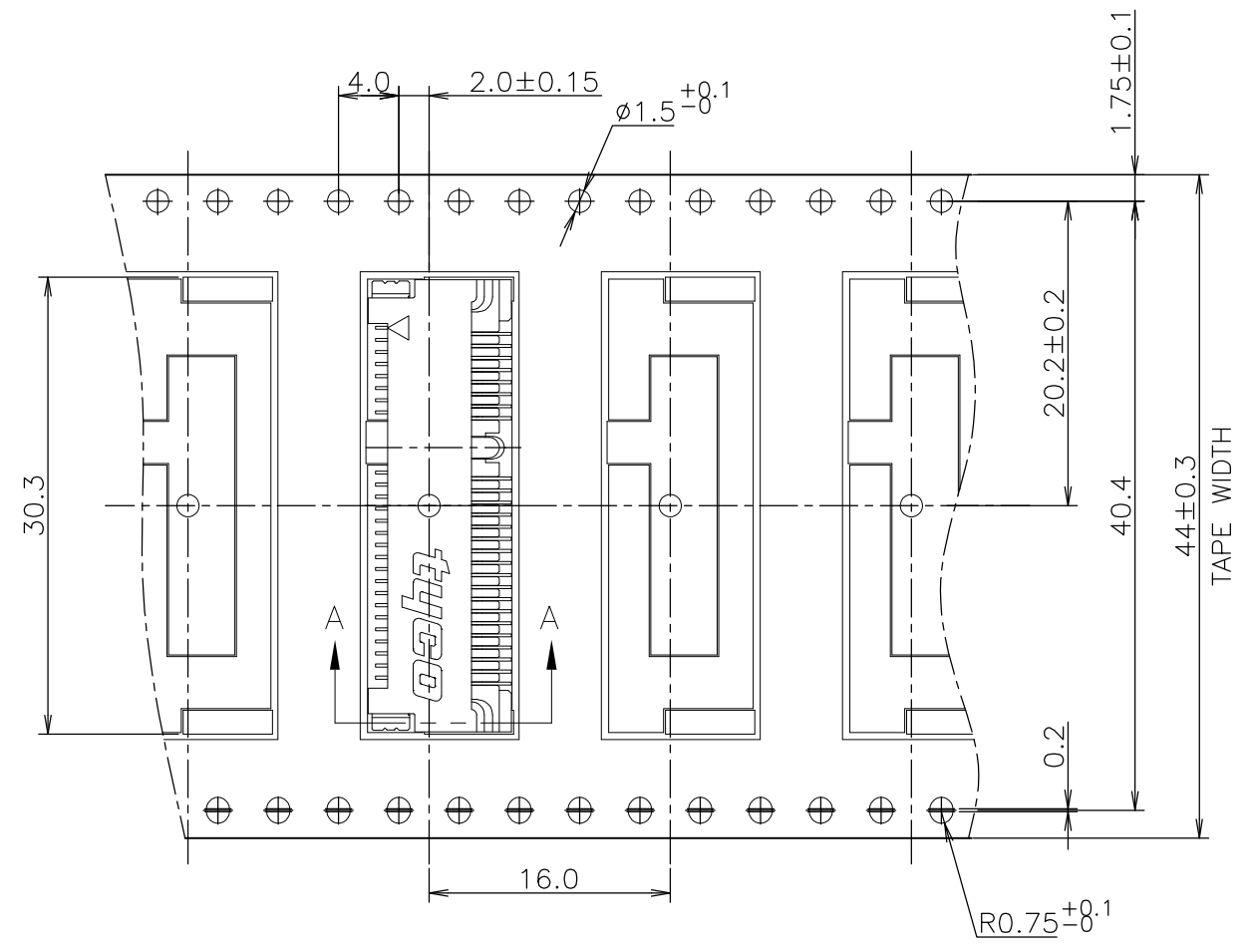
NOTE
 1. THE DIRECTION OF EACH CONNECTOR ON A TRAY IS REFERRED TO THIS DWG.

BOSSLESS	70EA/TRAY	2-912023-7	1-1717831-1
//	70EA/TRAY	2-912023-7	1717831-1
REMARK	QTY	TRAY P/N	P/N

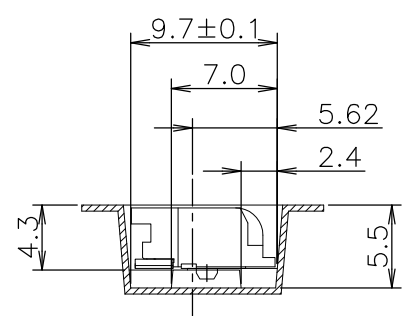
THIS DRAWING IS A CONTROLLED DOCUMENT.		DWN		STE TE Connectivity	
DIMENSIONS: MM		CHK			
TOLERANCES UNLESS OTHERWISE SPECIFIED:		APVD		NAME	
0 PLC ± -		PRODUCT SPEC		SEMI HARD TRAY & EMBOSS TAPE SUPPLY	
1 PLC ± -		108-5899		2 IN 1 mSATA AND MINI PCI EXPRESS MINI CARD	
2 PLC ± -		APPLICATION SPEC		CONNECTOR 4mm HEIGHT	
3 PLC ± -		WEIGHT		SIZE	RESTRICTED TO
4 PLC ± -		CUSTOMER DRAWING		A3	-
ANGLES ± -		SCALE		00779	6 of 7
FINISH		SHEET		C-1717831	REV
MATERIAL		NTS		D	
TOLERANCES UNLESS OTHERWISE SPECIFIED ±0.5		SHEET		6 of 7	

THIS DRAWING IS UNPUBLISHED. RELEASED FOR PUBLICATION OCT , 2003.
 © COPYRIGHT 2003 By - ALL RIGHTS RESERVED.

LOC	DIST	REVISIONS			
P	LTR	DESCRIPTION	DATE	DWN	APVD
J	/	SEE SHEET 1	-	-	-

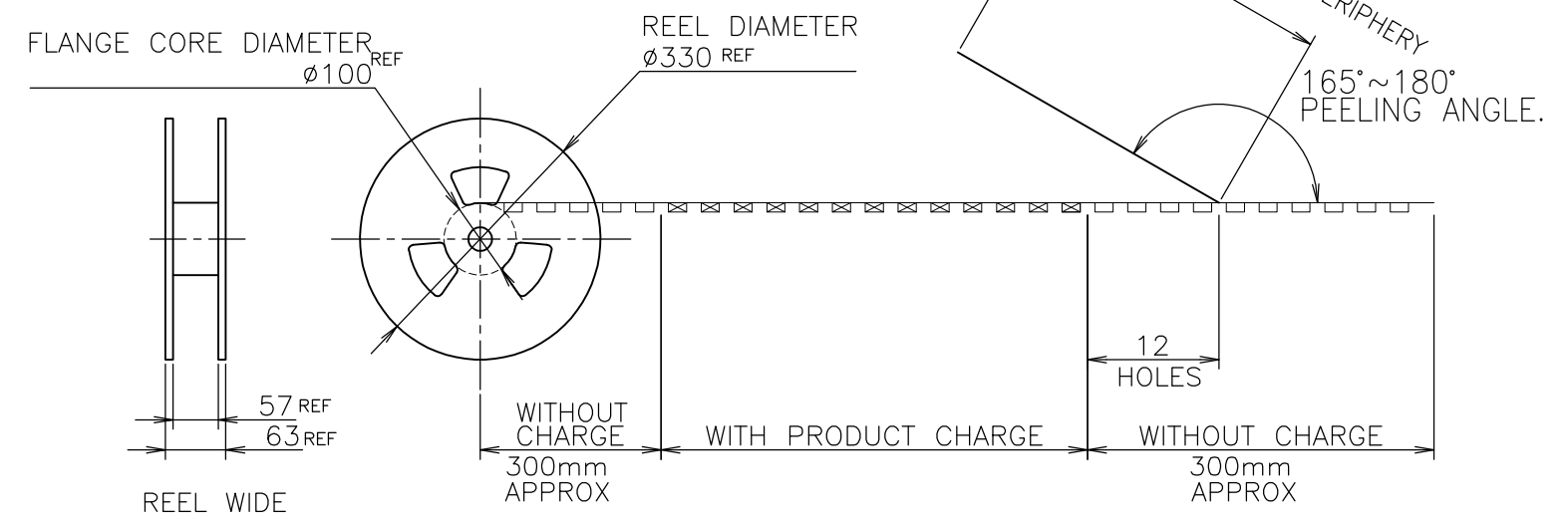


NOTE 1. PEELING RESISTANCE : 0.1N~1.3N
 (10gf~130gf)
 SPEED : 300mm/min



A-A

TOP OF REEL →



//	500EA	5-912103-9	1717831-2
REMARK	QTY/REEL	EMBOSS TAPE P/N	P/N

THIS DRAWING IS A CONTROLLED DOCUMENT.		DWN	STE TE Connectivity		
DIMENSIONS: MM		CHK			
TOLERANCES UNLESS OTHERWISE SPECIFIED:		APVD	NAME		
0 PLC ± -		PRODUCT SPEC	SEMI HARD TRAY & EMBOSS TAPE SUPPLY		
1 PLC ± -		108-5899	2 IN 1 mSATA AND MINI PCI EXPRESS MINI CARD		
2 PLC ± -		APPLICATION SPEC	CONNECTOR 4mm HEIGHT		
3 PLC ± -		WEIGHT	SIZE	CAGE CODE	DRAWING NO
4 PLC ± -		CUSTOMER DRAWING	A3	00779	C-1717831
ANGLES ± -			SCALE	SHEET	REV
FINISH		2:1	7 OF 7	D	